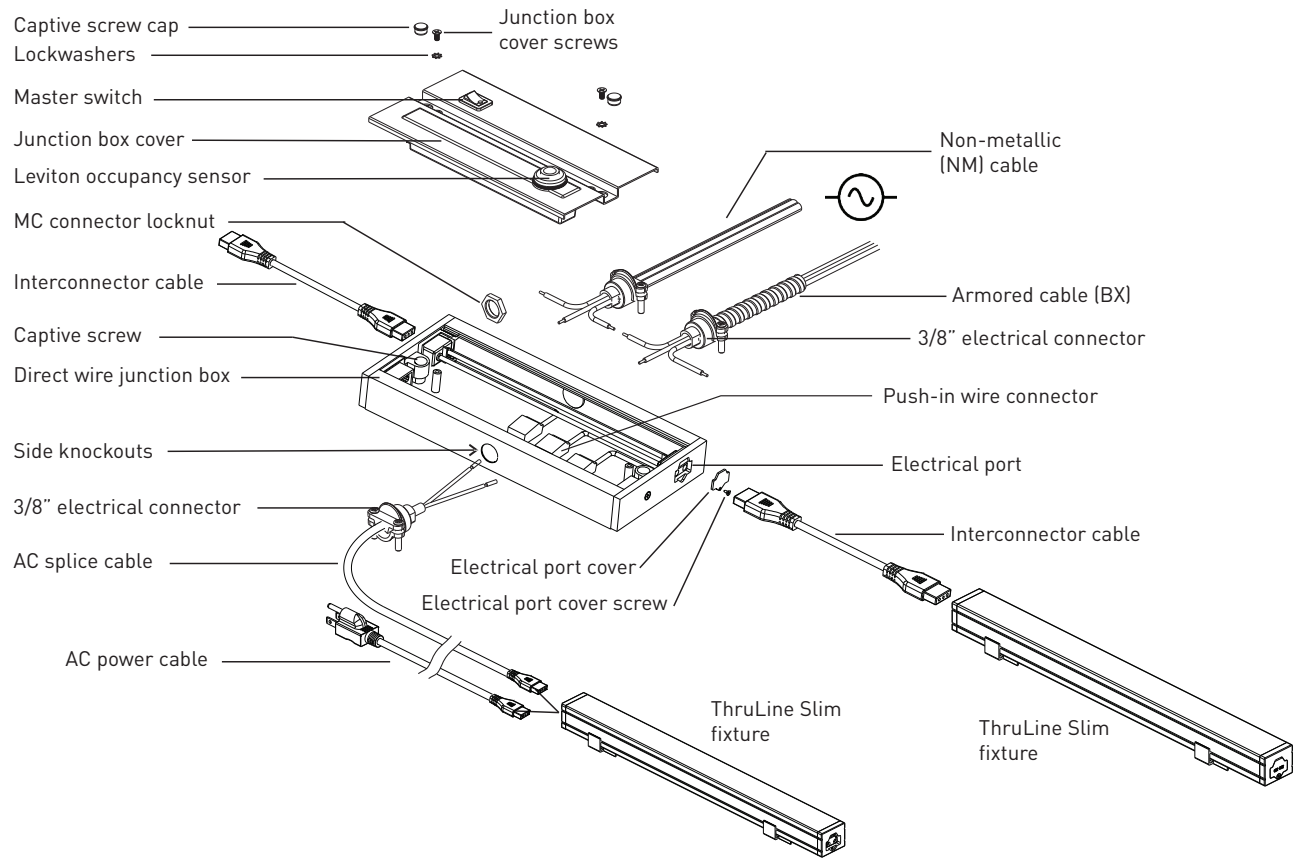


Safety & Tips

- Read all safety precautions and installation instructions carefully before installing or servicing this fixture. Failure to comply with these instructions could result in potentially fatal electric shock and/or property damage.
- It is recommended that a qualified electrician perform all wiring. This fixture must be wired in accordance with all national and local electrical codes.
- Do not handle a live fixture or attempt to power on any fixture with wet wires or while standing on a wet or damp surface or in water.
- Make sure that the power source matches the requirements of the fixture. (See labels on fixture housing).
- To reduce the risk of electrical shock, and to assure proper operation, this fixture must be adequately grounded.
- Do not touch LED light engine or heat-sink.
- A 12-inch minimum distance from luminaire is required for all objects located under fixture.
- This fixture is to be used for general indoor lighting, and is suitable for dry locations only.
- 120V AC POWER ONLY. DO NOT EXCEED MAXIMUM 4 AMPS LOAD.
- Do not operate this fixture in an area with aerosol sprays or where oxygen is being administered.



Assembly Instructions

Junction Box Installation

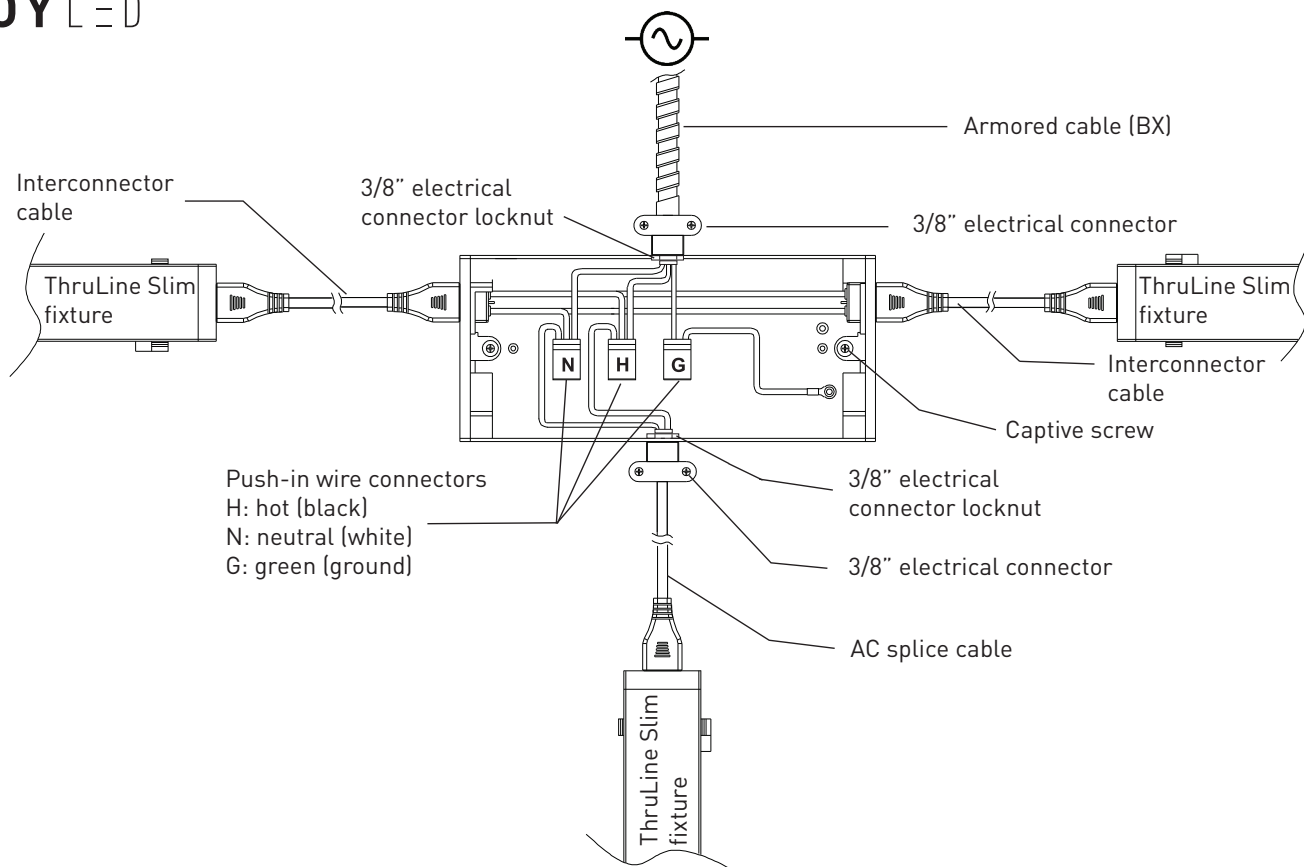
Disconnect electrical power before installing or servicing any part of this fixture.

1. Remove junction box cover plate by loosening screws.
2. Remove appropriate 3/8" diameter knockout for supply wiring entry.
3. Insert cable connector into the housing open hole. Secure it with the locknut.
4. Cut a portion of the armor on the BX cable to expose approximately 6-7 inches of wire. Trim 1/2" from the insulation on the BX cable (or NM cable) to ensure that it is long enough to be inserted into the connectors. Push the exposed wires (hot, neutral and ground) through the anti-short bushing and slide this bushing all the way down to the exposed wires until it is snug up against the armor.
5. Slide the BX cable through the cable connector and tighten the cable connector with a screwdriver (not included). Feed the cables and the connector through the hole on the adapter plate, attach the locknut on the other side of the cable connector.

Dimmability

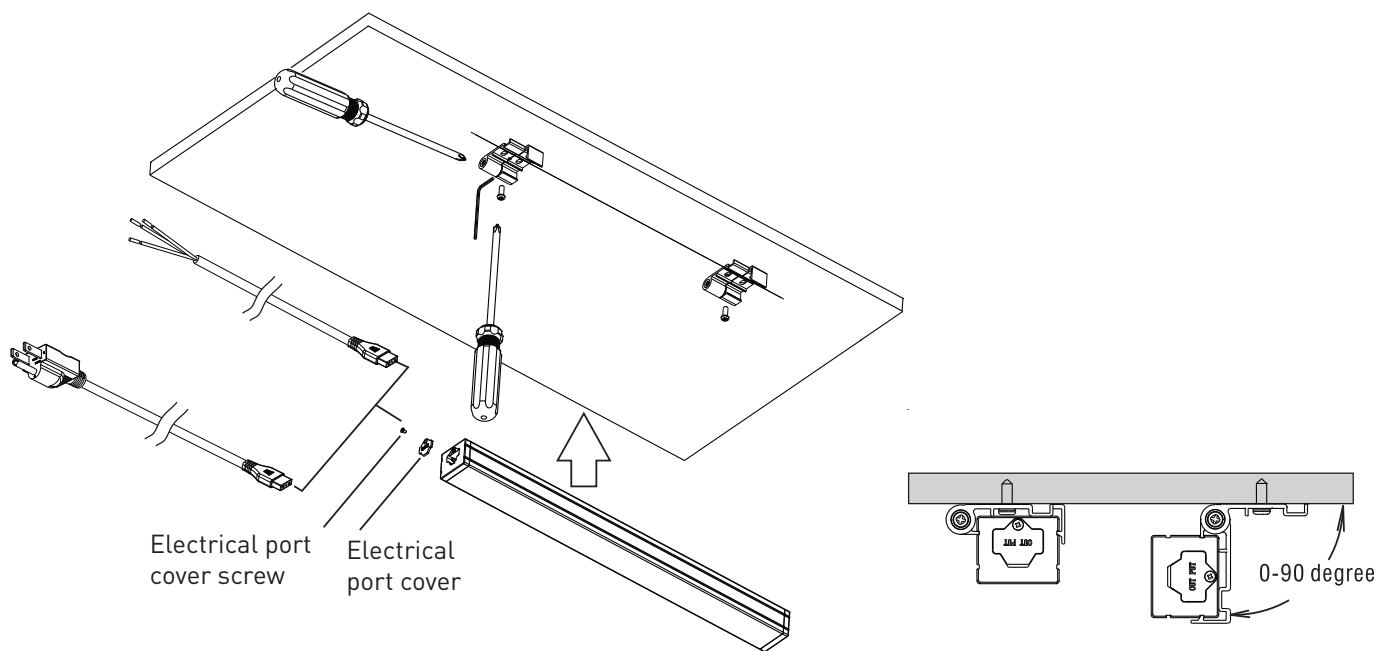
The ThruLine Slim is compatible with incandescent AC dimmer switches.

(cont. on other side)



Wiring

1. Pull the 3 wires out of the fixture to allow connection to the branch circuit.
2. Connect the white, black, and green input supply wires to the appropriate color wires in the push-in connectors in the junction box.
3. Pull on each wire to make sure connections are secure. Make certain no bare wires are exposed outside of the wire connectors.
4. Push excess cable back into the wall and attach the junction box to the mounting surface. Replace and secure junction box cover.



Mounting the Fixture

1. On the mounting surface, draw a line indicating the center of the fixture.
2. Remove the electrical port cover from the end of the fixture that will be connected to power.
3. Using the included Allen wrench, loosen the set screw on each mounting bracket.
4. Position the included mounting brackets in the location intended for mounting and attach with screws.
5. Insert the fixture in the mounting brackets.
6. Connect to power by either A) plugging into an outlet with the AC Power Cable or B) connecting to the ThruLine Slim junction box with an AC Splice Cable.